

MOTOR SPECIFICATION SHEET

MODEL : MET-T 3HP 4P (LT)

USED FOR : STANDARD

DESCRIPTION	DETAIL				
PHASE	3				
MODEL NAME	MET-T				
RATED OUTPUT, HP (kW)	3 (2.2)				
POLE	4				
CODE	MEATH CODE : 1M002T-400220T-GN4				
OUTLINE DRAWING NO.	OMM04O373-F				
RATED VOLTAGE (V)	220	380	415	220	440
RATED FREQUENCY (Hz)	50	50	50	60	60
RATED CURRENT (A)	8.5	4.9	5.0	7.8	4.3
RATED SPEED (min ⁻¹)	1420	1420	1430	1700	1720
THERMAL CLASS	155(F)				
RATING	S1 (CONTINUOUS)				
ENCLOSURE CONSTRUCTION	TOTALLY ENCLOSED FAN COOLED				
DEGREES OF PROTECTION	IP55				
METHOD OF COOLING	IC411				
FRAME NO.	100L				
WEIGHT (kg)	17.5				
STANDARD	IEC 60034-1, JEC-2137-2000				
INSTALLATION	FOOT MOUNTED				
ROTATION	CCW (VIEWED FROM SHAFT END)				
BEARING	LOAD SIDE : 6206ZZ				
	OPPOSITE SIDE : 6206ZZ				
BEARING GREASE	UREA GREASE				
NOISE (dB.A)	68				
VIBRATION	V15				
CIRCUMSTANCE CONDITION	AMBIENT TEMPERATURE : -20 ~ +40°C				
	AMBIENT HUMIDITY : 95%RH OR LESS				
	ABOVE SEA LEVEL : 1000m OR LESS				
	ENVIRONMENT : NO BURSTING/EROSIVE GAS OR VAPOR				
COLOR	MUNSELL N7 (LIGHT GRAY)				
TERMINAL BOX	NO. OF LEAD WIRES : 6				
	SOURCE CONNECTION : TERMINAL BLOCK				
INSULATION RESISTANCE	BY DC 500V MEGGER - ≥100MΩ				
DIELECTRIC TEST	AC 50Hz 1800V - 1min. (Based on rated voltage 380V)				
SHAFT SWING	≤0.03mm				
MATERIAL	FRAME : ALUMINIUM				
	BRACKET : ALUMINIUM				
	SHAFT : CARBON STEEL				
	STATOR CORE : ELECTRICAL STEEL				
	WIRE : ENAMELLED COPPER MAGNET WIRE				
	INSULATOR : POLYESTER FILM SATURATED WITH RESIN				
	VARNISH : EPOXY DENATURALIZATION POLYESTER				
	ROTOR CORE : ELECTRICAL STEEL				
	CONDUCTOR : ALUMINIUM				
	TERMINAL BOX : PLASTIC				
	PAINTING : POLYURETHANE RESIN				
PRODUCTION COUNTRY	THAILAND				

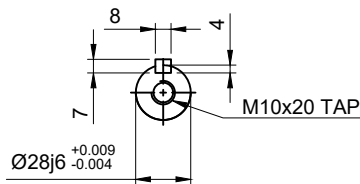
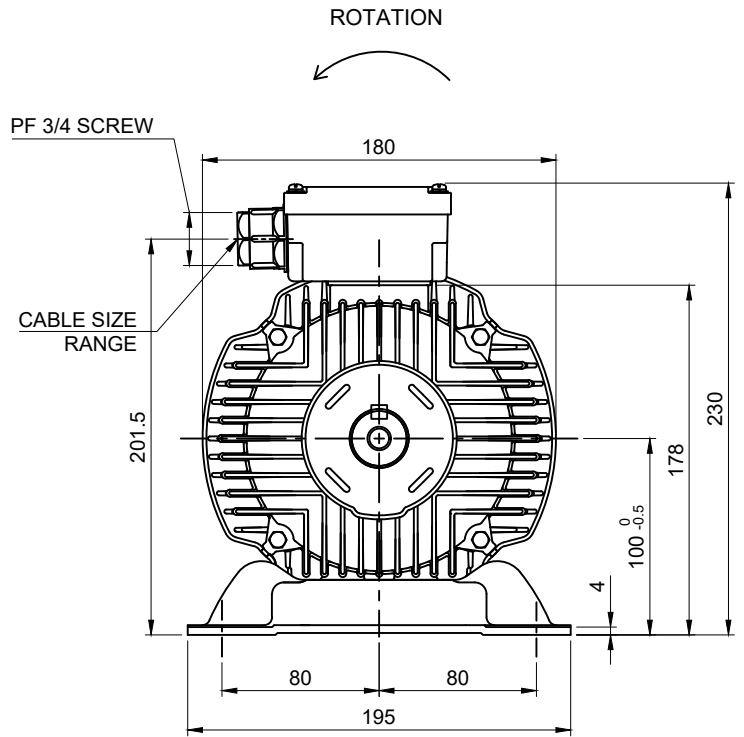
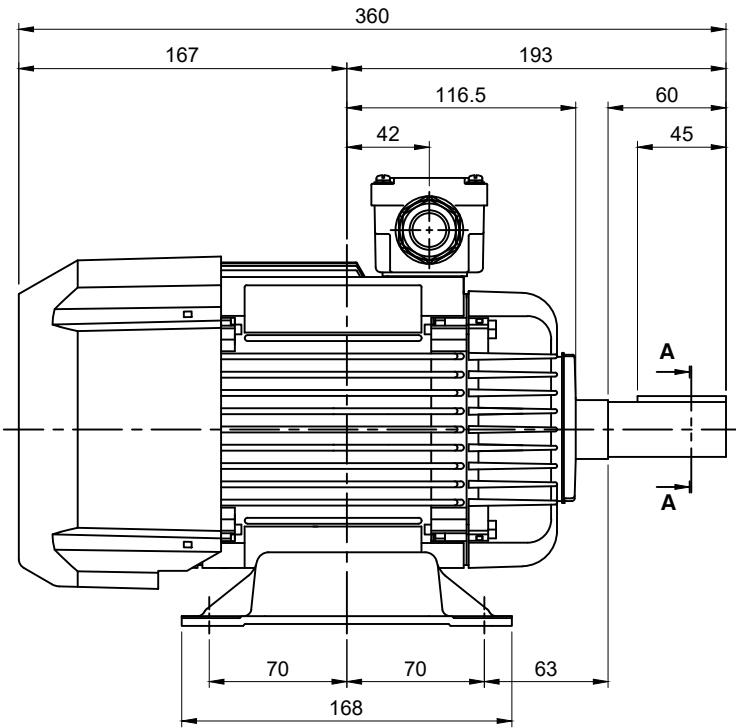
Specifications subject to change without notice.

SPECIFICATION SHEET NO.				
SS-M-0357-B				

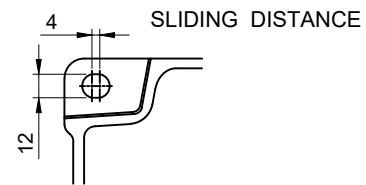
MODEL **MET-T** THREE PHASE INDUCTION MOTOR OUTLINE DRAWING

TOTALLY ENCLOSED FAN COOLED
 DEGREES OF PROTECTION IP55
 DUST & WATER JET PROOF
 FRAME NO. 100L

CUSTOMER _____
 USER _____
 FOR _____
 CUSTOMER'S ORDER NO. _____
 QUANTITY _____
 MFG. ORDER NO. _____



SECTION A-A



FRAME FOOT AS VIEWED FROM BELOW

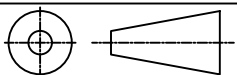
REMARKS:

1) ADDITIONAL SUPPORT BOLTS M4 IN TERMINAL BOX (GROUNDING POSITION) .

YOUR ORDER	RATING	TH CLASS	AMB. TEMP.	BEARINGS		COLOR	DIRECTION OF ROTATION	CABLE SIZE RANGE	STANDARD
				LOAD SIDE	OPP. SIDE				
	S1 (CONT.)	F	40°C	6206ZZ	6206ZZ	N 7	CCW	13~17	IEC60034-1

YOUR ORDER	OUTPUT		POLE	WEIGHT (kg)	Hz	VOLT	AMPERE	RPM	PF	REMARK
	HP	KW								
	3	2.2	4	17.5	50	220/380/415	8.50/4.90/5.00	1420/1420/1430	0.82/0.84/0.78	
					60	220/440	7.80/4.30	1700/1720	0.89/0.83	

MITSUBISHI ELECTRIC AUTOMATION (THAILAND) CO., LTD.



DIMENSION IN mm.

SCALE : NTS

OUTLINE DRAWING NO.

REV.

0 M M 0 4 0 3 7 3 F